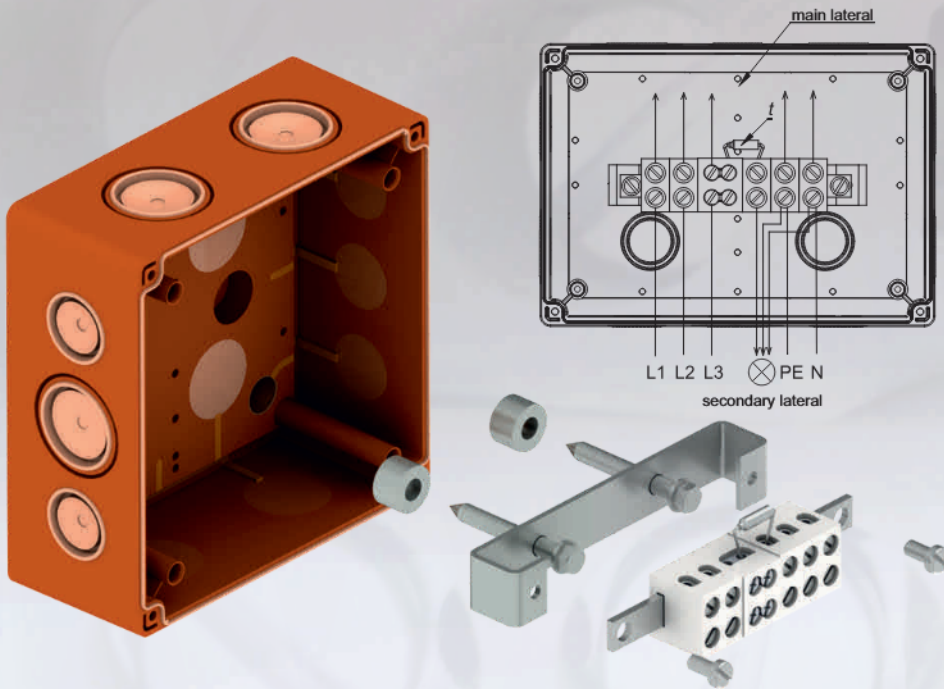


# KSK WITH A FUSE



**KSK 175 PO10P**  
[www.kopos.com/en/video-navody](http://www.kopos.com/en/video-navody)  
**VIDEO INSTRUCTIONS**

- soft plastic inputs ensure easy cable entries while maintaining IP 66 protection
- included in the package are anchors, stainless steel screws, supporting posts, bar, ceramic terminal plate, with a fuse
- in the case of a defect, the fuse will disconnect the secondary branch at a temperature that may no longer be safe for the device
- fuse 10 A, interruption temperature 150 °C

Type	Fire resistance classification	Dimensions (mm)			Material	Color	Protection	Number of ceramic terminals (poles)	Cable cross-section
		length	height	depth					
KSK 125 PO6P	P 90-R, E 90, PS 90	126	126	74	halogen-free PP, cover PC-ABS	orange RAL 2004	IP 66	5 + 1	1,5 – 6 mm <sup>2</sup>
KSK 175 PO10P	P 90-R, E 90, PS 90	176	126	87	halogen-free PP, cover PC-ABS	orange RAL 2004	IP 66	5 + 1	1,5 – 10 mm <sup>2</sup>

