

# Praesideo Call Station Remote Module

www.boschsecurity.com



**BOSCH**  
Invented for life



- ▶ Connects to call station interface via CAT-5 cable
- ▶ Up to 1 km from Praesideo optical network
- ▶ Connection for keypads
- ▶ Connection for transducers and status LEDs
- ▶ Stable metal enclosure

The PRS-CSR is a module with the same functionality as the remote call station, PRS-CSR, but without its housing and other components. It is a building block to make custom call stations or panels. It connects via a CAT-5 cable, one-to-one, to the call station interface, PRS-CSI, which is part of the Praesideo optical network. The CAT-5 cable, carrying digital audio and control data, can be as long as 1 km. The CAT-5 cable does not contribute to the Praesideo optical network length. This considerably increases the overall possible length of the network.

The PRS-CSR can be extended with up to 16 keypads (LBB 4432/00 or PRS-CSKPM), each with eight configurable keys. Extension with a numeric keypad (PRS-CSNKP) is also possible.

## Functions

The call station module has a connection for a supervised microphone. A limiter and a speech filter improve intelligibility and prevent clipping of the audio. It has a volume control for the monitoring speaker and the headset. When it plays a chime or a pre-recorded message, this can be monitored via a connected loudspeaker or headphone. When a headset is connected, it replaces the microphone and

speaker. The call station has its own DSP for audio processing functions, including sensitivity adjustment, limiting, and parametric equalization.

The module gets its power from the interface unit via the CAT-5 cable, but is also equipped with a local power supply connection for extreme cases with a very long cable and many keypads.

Call station keypads can connect to the module via a serial communication link. The module provides the power for the keypads.

The remote call station is fully supervised and supports fail-safe operation. Even if the Praesideo network controller fails, the call station is still able to put through emergency calls.

## Controls and indicators

These must be supplied by the installer.

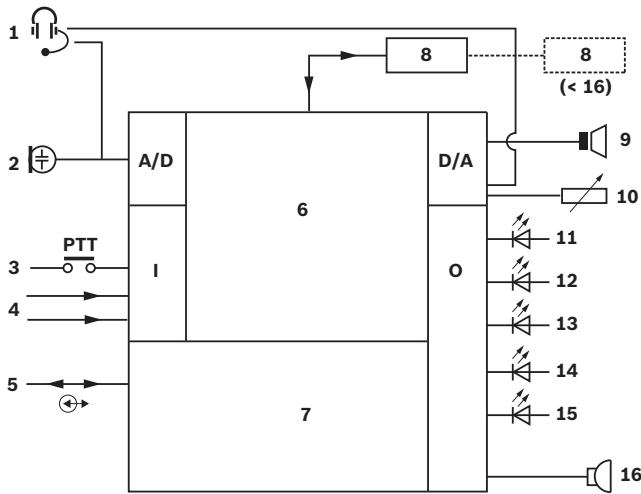
## Interconnections

- External power supply input and 2 control inputs
- Serial data and power supply interface for call station keypads
- Microphone
- Loudspeaker
- Buzzer
- Headset
- Volume control for loudspeaker/headset
- Control input (for Press-to-Talk button)
- Five control outputs (for status LEDs)

**Certifications and approvals**

Safety	acc. to IEC 60065 / EN 60065
Immunity	acc. to EN 55103-2
Emissions	acc. to EN 55103-1 / FCC-47 part 15B
Emergency	acc. to EN 60849, EN54-16 and ISO7240-16
Maritime	acc. to IEC 60945 (except salt mist test)

**Installation/configuration notes**



- 1 Headset
- 2 Microphone
- 3 Push-To-Talk switch
- 4 Control inputs
- 5 Network connection
- 6 Network processor and DSP
- 7 Network redundancy switching
- 8 Keypad(s)
- 9 Loudspeaker output
- 10 Volume control
- 11 Power status
- 12 Fault status
- 13 Call status
- 14 Emergency status
- 15 System fault status
- 16 Buzzer

**Parts included**

Quantity	Component
1	PRS-CSRSM Call Station Remote Module
1	Set of connectors

**Technical specifications**

**Electrical**

Power consumption	4 W at 48 V without keypads
External power supply	18 to 56 VDC

**Microphone**

Sensitivity	-63 to -48 dBV
SNR	>60 dB at -55 dBV
Frequency response	340 Hz to 14 kHz (-3 dB)

**Loudspeaker output**

S/N	80 dB ±3 dB at max.
Impedance	8 to 32 ohm
Power	100 mW typ., 300 mW max.

**Headset**

Input sensitivity	-52 to -37 dBV
Earphone impedance	>16 ohm

**Status outputs**

Max. current (internal)	10 mA per pin; 30 mA total
Max. voltage	56 V per pin
Max sink current	100 mA per output pin

**Control inputs**

Operation	Closing contact (with supervision)
-----------	------------------------------------

**Mechanical**

Dimensions (H x W x D)	43 x 183 x 164 mm (1.69 x 7.20 x 6.46 in)
Weight	0.8 kg (1.76 lb)
Mounting	Stackable metal enclosure

**Environmental**

Operating temperature	-5 °C to +55 °C (+23 °F to +131 °F)
Storage temperature	-20 °C to +70 °C (-4 °F to +158 °F)
Humidity	15% to 90%
Air pressure	600 to 1100 hPa

## Ordering information

### **Praesideo Call Station Remote Module**

Module for custom remote call station, connections for microphone, push-to-talk button, monitoring loudspeaker, to be connected to a PRS-CSI via a CAT-5 cable.

Order number **PRS-CSR**

### **Accessories**

#### **PRS-CSI Call Station Interface**

Compact unit with mounting clamp, interface between Praesideo network and a remote CAT-5 connected call station up to 1000 m away, powered from Praesideo network.

Order number **PRS-CSI**

#### **Praesideo Call Station Keypad Module**

Module to extend a custom call station with 8 programmable buttons and status indicators, up to 16 keypad kits can be connected to a call station.

Order number **PRS-CSKPM**

#### **LBB 4432/00 Call Station Keypad**

Call station keypad with 8 programmable buttons and status indicators, up to 16 keypads can be connected to a call station.

Order number **LBB4432/00**

#### **PRS-CSNKP Numeric Keypad**

Call station numeric keypad and LCD for controlled user access and zone selection in large systems, can be combined with call station keypads.

Order number **PRS-CSNKP**

#### Represented by:

##### **Americas:**

Bosch Security Systems, Inc.  
12000 Portland Avenue South  
Burnsville MN 55337, USA  
Phone: +1-800-392-3497  
Fax: +1-800-955-6831  
audiosupport@us.bosch.com  
www.boschsecurity.com

##### **Europe, Middle East, Africa:**

Bosch Security Systems B.V.  
P.O. Box 80002  
5617 BA Eindhoven, The Netherlands  
Phone: + 31 40 2577 284  
Fax: +31 40 2577 330  
emea.securitysystems@bosch.com  
www.boschsecurity.com

##### **Asia-Pacific:**

Robert Bosch (SEA) Pte Ltd, Security Systems  
11 Bishan Street 21  
Singapore 573943  
Phone: +65 6571 2808  
Fax: +65 6571 2699  
apr.securitysystems@bosch.com  
www.boschsecurity.asia

##### **China:**

Bosch (Shanghai) Security Systems Ltd.  
201 Building, No. 333 Fuquan Road  
North IBP  
Changning District, Shanghai  
200335 China  
Phone +86 21 22181111  
Fax: +86 21 22182398  
www.boschsecurity.com.cn

##### **America Latina:**

Robert Bosch Ltda Security Systems Division  
Via Anhanguera, Km 98  
CEP 13065-900  
Campinas, Sao Paulo, Brazil  
Phone: +55 19 2103 2860  
Fax: +55 19 2103 2862  
latam.boschsecurity@bosch.com  
www.boschsecurity.com