



# PROMAXX 110

## Passive Reinforcement Speaker

### APPLICATIONS

- Live sound PA system
- Live sound monitor
- DJ system
- School and corporate audio visual sound reinforcement
- Background music/announcements: restaurants, pubs
- Transportation terminals, Clubs, Auditorium, Theatres, Gims, Houses of worship

### KEY FEATURES

- 2-way passive sound reinforcement speaker
- 300W RMS recommended amplifier
- Polypropylene cabinet
- Built-in passive crossover
- Control panel features 2 x Speakon NL-4 IN&LINK
- 12°, 40°, 55° monitoring angles
- Completely manufactured in Italy



### PRODUCT DESCRIPTION

The FBT PROMAXX 110 has been designed to meet the highest standards in both performance. With a specially developed polypropylene cabinet and stylish full grille aesthetic the FBT PROMAXX 110 represents the next step in the evolution of a portable sound classic. The FBT PROMAXX 110 incorporating a 10" LF woofer with 2" voice coil, custom made for FBT and 1" exit throat B&C HF compression driver with 1.4" voice coil; with a constant directivity horn (90° H x 60° V) ensure accurate coverage and with a frequency range from 60Hz to 18kHz the FBT PROMAXX 110 speaker provide high fidelity sound for both speech and music applications with a maximum SPL of 127dB. Ideal for small fixed installations the FBT PROMAXX 110 speaker system have an impedance of 8 Ohm and the internal crossover is at a fixed frequency of 1.8kHz. Rear panel connections feature 2 x NL4 Neutrik Speakon. The two M10 suspension points along with the optional mounting bracket allow the FBT PROMAXX 110 speaker to be surface mounted on wall or ceiling and a standard 1.38" speaker stand socket allows the FBT PROMAXX 110 to be mounted on speaker stand.

### ELECTRICAL SPECIFICATIONS

System Type	2 Way
Recommended amplifier	300W RMS
Long term power *	150W
Short term power (IEC 268-5)**	600W
Nominal impedance	8 Ohm
Frequency Response	60Hz - 18kHz (@ -6dB)
Sensitivity	97dB (@ 1W / 1mt)
Maximum SPL cont/peak	122 / 127dB
Dispersion	90°H x 60°V
Crossover frequency	1.8kHz
Recommended HP filter	50Hz / 12-24dB oct

### PHYSICAL SPECIFICATIONS

Low Frequency Woofer	10" / 2" coil	
High Frequency Driver	1" / 1.4" coil	
Input Connectors	2 x Speakon	
Net Dimensions	(WxHxD) inch	12.6 x 21.6 x 10.8
	mm	320 x 550 x 275
Net Weight		8.9kg / 19.62lb
Enclosure Material		Polypropylene

\* 100 hour power test, IEC-268-5 standard (display the long term RMS voltage handling, using IEC filtered 6dB crest factor pink noise).

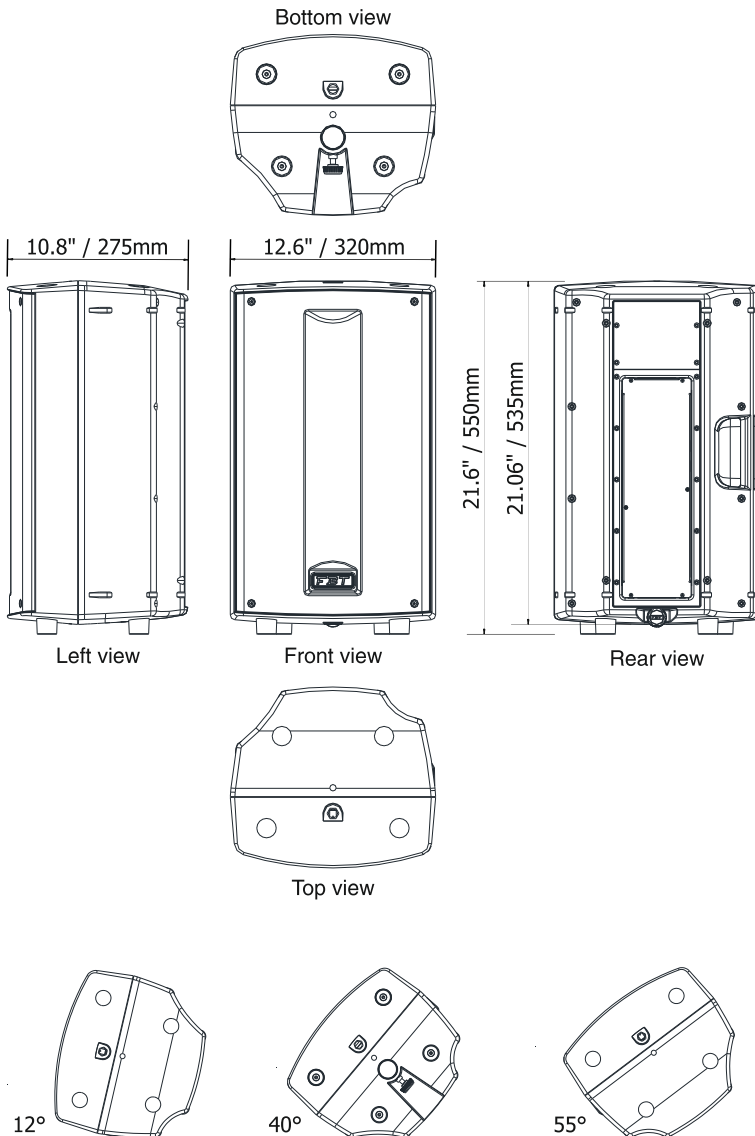
\*\* Based on peak level of 6dB crest factor random noise signal used for test.



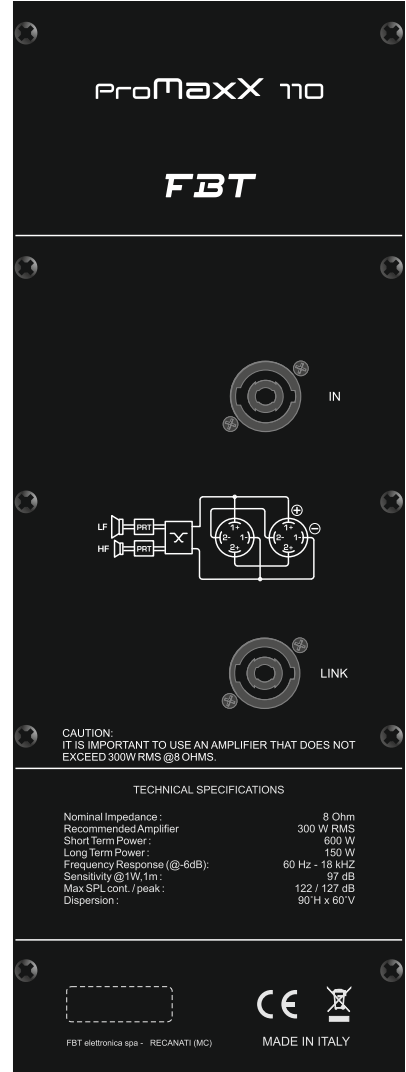
# ProMaxX 110

Passive Reinforcement Speaker

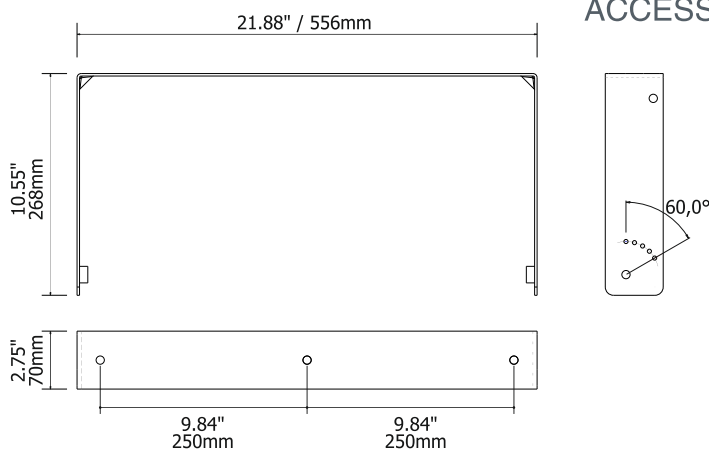
## DIMENSIONAL DRAWINGS



## CONTROL PANEL



## ACCESSORIES



### Caution.



This FBT loudspeaker should be suspended overhead only in accordance with the procedures and limitations specified in the user's manual. This system should be suspended in compliance with local and state overhead suspension ordinances. The PROMAXX speakers use only with FBT mount for wall installation.