



APPLICATIONS

- Band P.A.
- Personal monitor
- Small theatres
- Auditoriums
- Piano bar
- DJ
- Stage monitor
- Conference rooms
- Fixed installations in live clubs
- Pubs
- Gyms

KEY FEATURES

- 2-way passive speaker
- Plywood cabinet
- FBT custom 10" LF woofer / 2" voice coil
- FBT 1" throat / 1,4" voice coil HF compression driver
- 250W RMS recommended amplifier
- 35° monitor taper
- M10 rigging points
- 80°H x 50°V rotatable horn



PASSIVE REINFORCEMENT SPEAKERS



PRODUCT DESCRIPTION

The FBT X-PRO 10 feature lightweight, yet rugged plywood cabinet with anti-scratch coating and internal ply reinforcement construction. Available in black finish the FBT X-PRO 10 series speakers modern cabinet appearance provides fixed installations with an elegant design that blends into any decor. The asymmetrical shape of the FBT X-PRO 10 cabinet also allows use as a powered floor stage monitor. The FBT X-PRO 10 is two way design incorporating an 10" low frequency woofer and 1" HF compression driver coupled to a 80°H x 50°V constant directivity rotatable horn. With a frequency range of 68Hz - 20kHz the FBT X-PRO 10 speakers provide high fidelity sound for both speech and music applications with a maximum SPL of 123dB. Ideal for small fixed installations the FBT X-PRO 10 speaker system have an impedance of 8 Ohm and the internal crossover is at a fixed frequency of 2.5kHz. The control panel features 2 x NL4 Neutrik Speakon. 2 x M10 rigging points built into the cabinet along with the optional mounting brackets allow the FBT X-PRO 10 speaker to be surface mounted on walls or ceilings. A standard 1,38" speaker stand socket allows the FBT X-PRO 10 to be mounted on speaker stand. A front face grille protects the speaker from external damage.

ELECTRONIC SPECIFICATIONS

System Type	2 Way
Recommended Amplifier	250W RMS
Long Term Power*	125W
Short Term Power (IEC 268-5)**	500W
Nominal Impedance	8 Ohm
Frequency Response	68Hz - 20kHz (@-6dB)
Maximum SPL cont / peak	120 / 123dB
Dispersion	80° H x 50°V rotatable
Crossover Frequency	2.5kHz
Recommended HP Filter	55Hz - 24dB oct

PHYSICAL SPECIFICATIONS

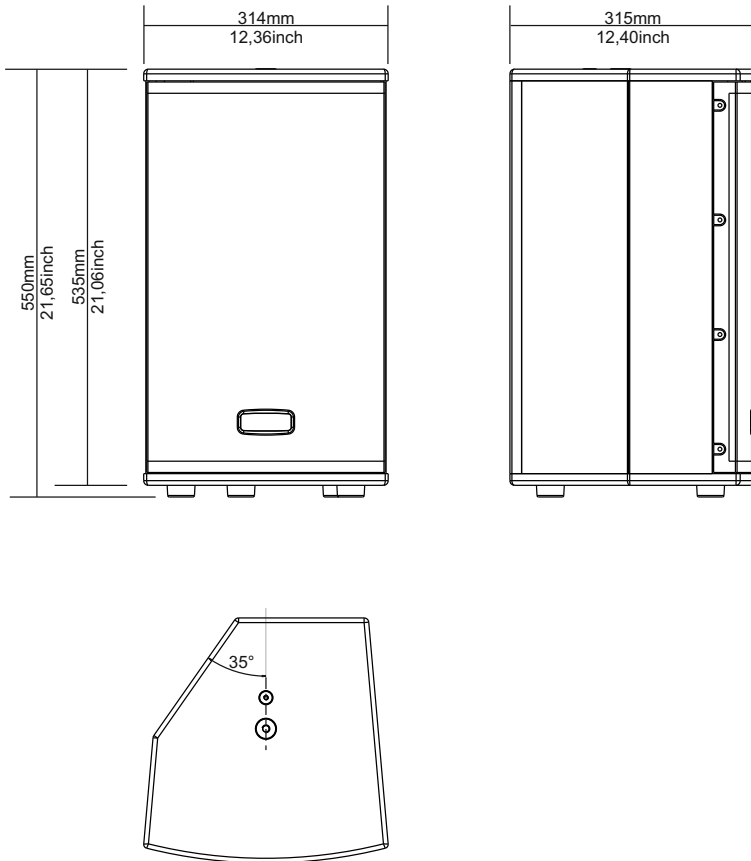
Low Frequency Woofer	10" / 2" coil
High Frequency Driver	1" / 1,4" coil
Input Connectors	Neutrik Speakon
Net Dimensions (WxHxD)	inch 12,36 x 21,65 x 12,40
	mm 314 x 550 x 315
Shipping Dimensions (WxHxD)	inch 16,14 x 24,60 x 16,14
	mm 410 x 625 x 410
Net Weight	28.66 lbs
Shipping Weight	33.06 lbs
Enclosure Material	plywood

* Max.: 2mS burst, rms power on nominal speaker impedance

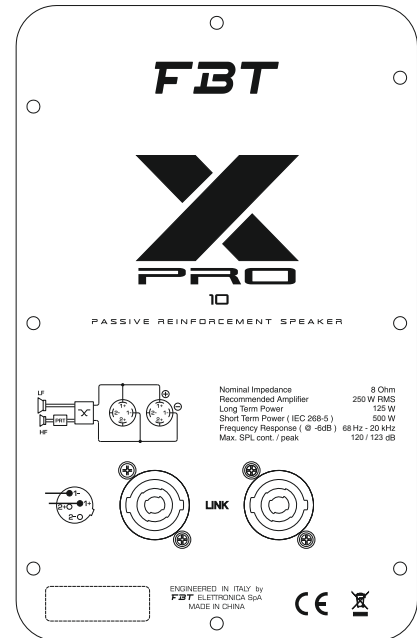
** Peak SPL: free space, based on max. peak power amp rating and system peak sensitivity, 10mS time average

FBT products are continually improved. All specifications are therefore subject to change without notice.

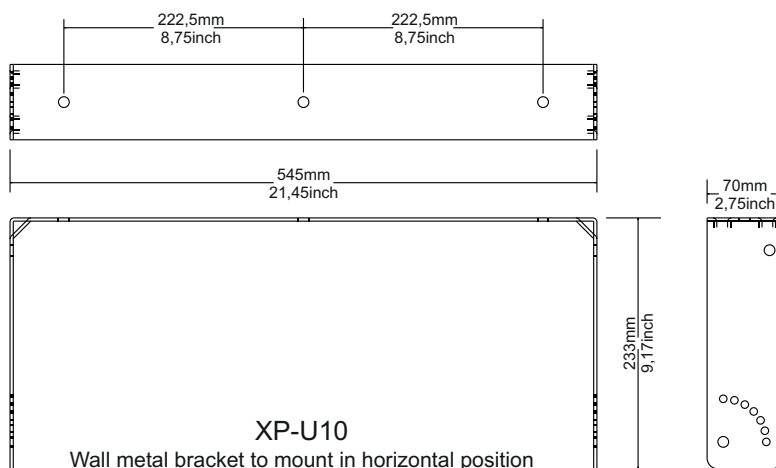
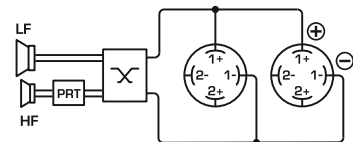
DIMENSIONAL DRAWINGS



CONTROL PANEL



BLOCK DIAGRAM



ACCESSORIES



Caution.

This FBT loudspeaker should be suspended overhead only in accordance with the procedures and limitations specified in the user's manual. This system should be suspended in compliance with local and state overhead suspension ordinances. The X-PRO speakers use only with FBT mount for wall installation.