

GENERAL INFORMATION

This product is a fully self-contained illuminated exit sign. It has an inbuilt battery, battery charger, controller and test button. The LED light source provides low power consumption and long life. The acrylic panel is printed with a dot matrix to provide high brilliance and even illumination over the full surface of the sign.

PRECAUTIONS

This product should be installed by a registered electrician in accordance with local standards and electrical regulations.

Take care to ensure the mains supply is isolated before installation.

Check the unit label for correct supply voltage and frequency.

SERVICE & OPERATION

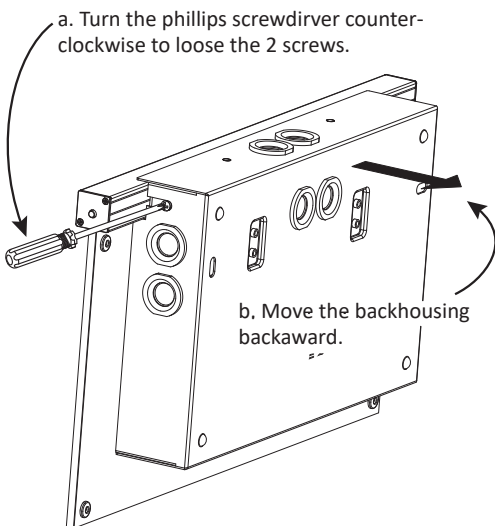
Normal Operation: The green indicator light on the side of the unit stays on. The LED will go out if the mains supply fails, if the internal charger malfunctions, or if the unit is in test mode.

Battery: Sealed LiFePO₄ rechargeable battery pack. Batteries of a different type must not be used. Battery's should be replaced by authorized service personnel only. If the unit no longer maintains its rated battery backup test times. Should only be replaced by competent service personnel with manufacturers battery pack. Old battery's should be recycled.

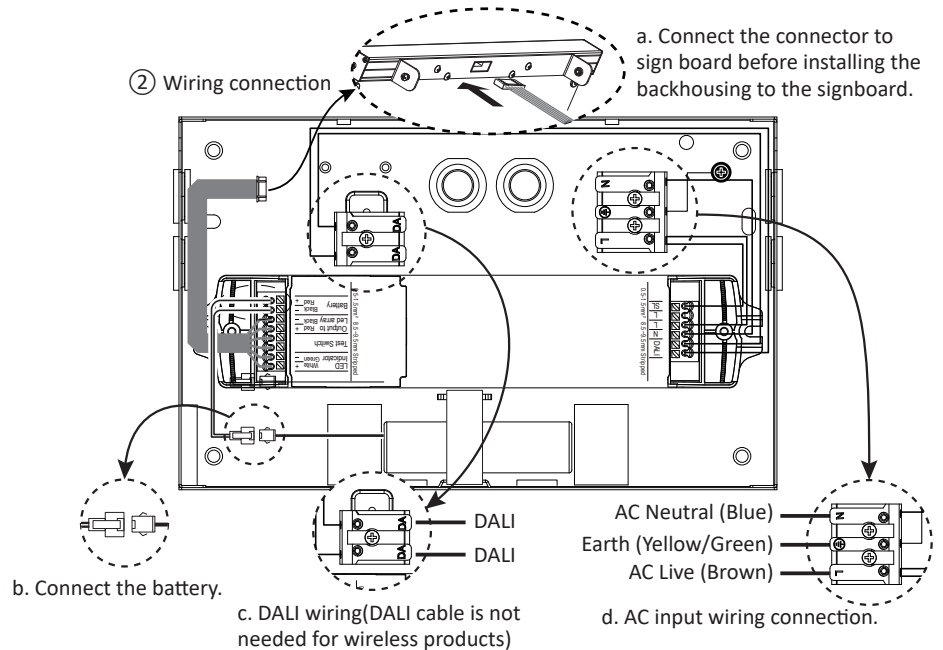
Test Switch: If pressed the unit LED indicator light will go out and the sign will operate from its battery supply.

Pre-installation

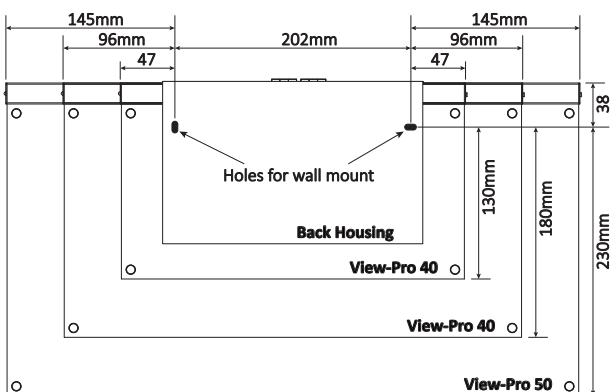
① Remove the signboard



② Wiring connection



Installation - Wall mount

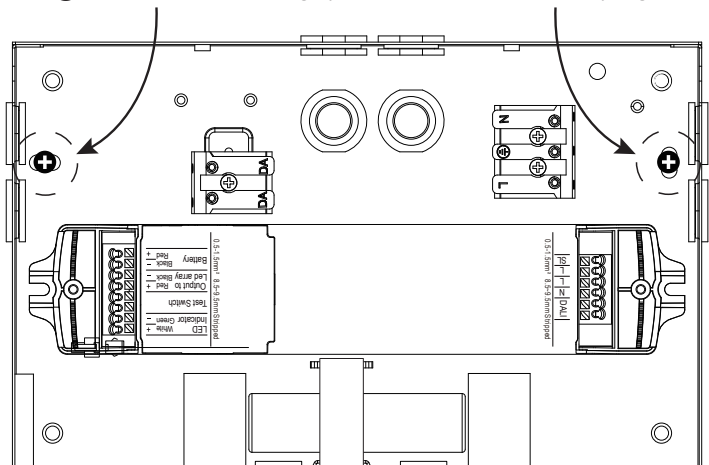


① Drill 2 holes on wall.

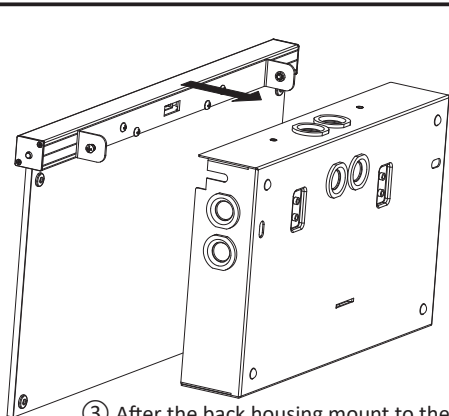
Checking the size of this draw for inference to determine the position of the 2 holes.

Choose $\Phi 8\text{mm}$ drill bit to drill holes.

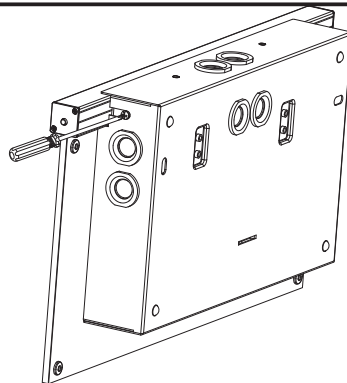
② Mount the back housing by the 2 screws in the accessory bag.



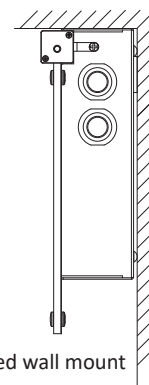
Installation Instruction



③ After the back housing mount to the wall, insert the sign panel to the back housing

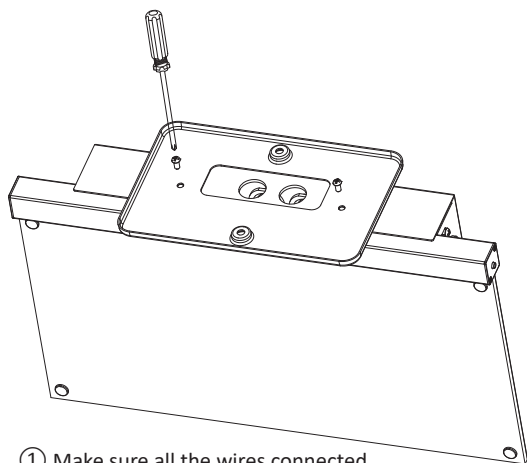


④ When the sign panel fully insert to the backhousing as the drawing, turn the screw driver clockwise to fasten the 2 screws

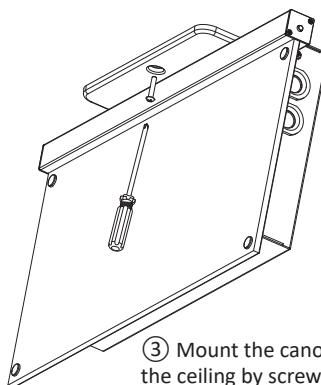
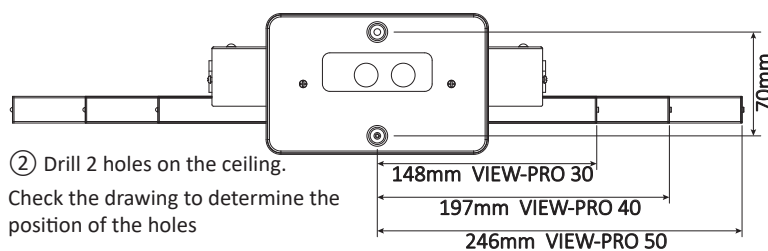


Finished wall mount

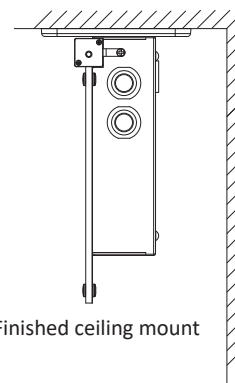
Installation - Ceiling mount



① Make sure all the wires connected, and the back housing has fixed to the sign panel, mount the canopy to top surface of the back housing.



③ Mount the canopy to the ceiling by screws.



Finished ceiling mount

Specification

Model	BIGLED CC Zigbee 30M tak/vägg	BIGLED CC Zigbee 40M tak/vägg	BIGLED CC Zigbee 50M tak/vägg
Art.no	960617CC	960619CC	960621CC
Power supply	220~240Vac 50/60Hz		
Power consumption	4W	5W	
Power output	1W	2W	
Operation mode	Maintained		
Battery type	LiFePO ₄		
Battery inbuilt	3.2V/1.5AH	3.2V/1.5AH	3.2V/1.5AH
Charging times	24H		
Discharge time	>1 H	>1 H	>1 H
CCT	5000K~6500K		
Ra	≥70		
Average surface brightness of the white area	>500cd/m ²		>350cd/m ²
Test Complies	DALI, ZigBee Wireless		
size	296*169*50.4mm	394*219*50.4mm	492*269*50.4mm
Installation Mount	Wall mount, Ceiling = Mount		
Operation environment	indoor		
Ambient temperature	0°C-40°C		