



## GENERAL INFORMATION

This product is a fully self-contained illuminated Exit Sign. It has an inbuilt battery, battery charger, controller and test button. The LED light source provides low power consumption and long life. The acrylic panel is printed with a dot matrix to provide high brilliance and even illumination over the full surface of the sign.

## PRECAUTIONS

This product should be installed by a registered electrician in accordance with local standards and electrical regulations. Take care to ensure the mains supply is isolated before installation.

Check the unit label for correct supply voltage and frequency.

## SERVICE & OPERATION

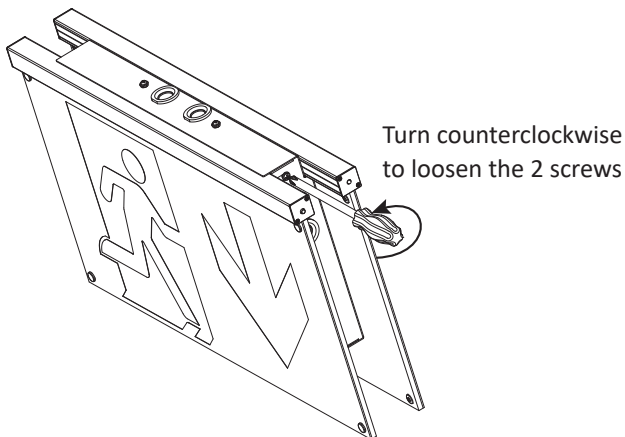
**Normal Operation:** The green indicator light at the side of the unit stays on. The LED will go out if the main supply fails, if the internal charger malfunctions, or if the unit is in test mode.

**Battery:** Sealed LiFePO<sub>4</sub> rechargeable battery pack. Different type of batteries must not be used. Batteries should be replaced by authorized service personnel only. If the unit no longer maintains its rated battery backup test times, it should only be replaced by competent service personnel with manufacturer's battery pack. Old batteries should be recycled.

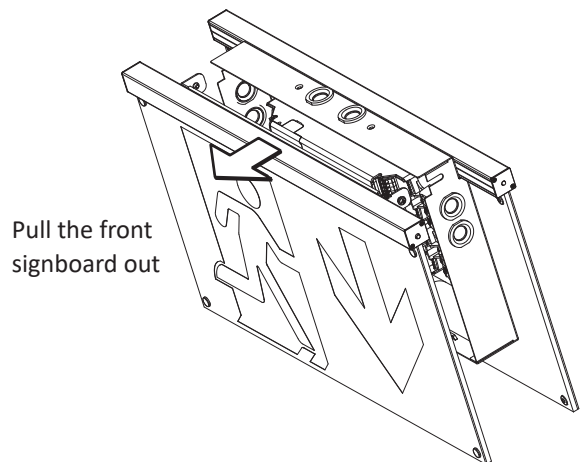
**Test Switch:** If it is pressed, the unit LED indicator light will go out and the sign will operate from its battery supply.

## Pre-installation

- ① Turn the phillips screwdriver counterclockwise to loosen the 2 screws.

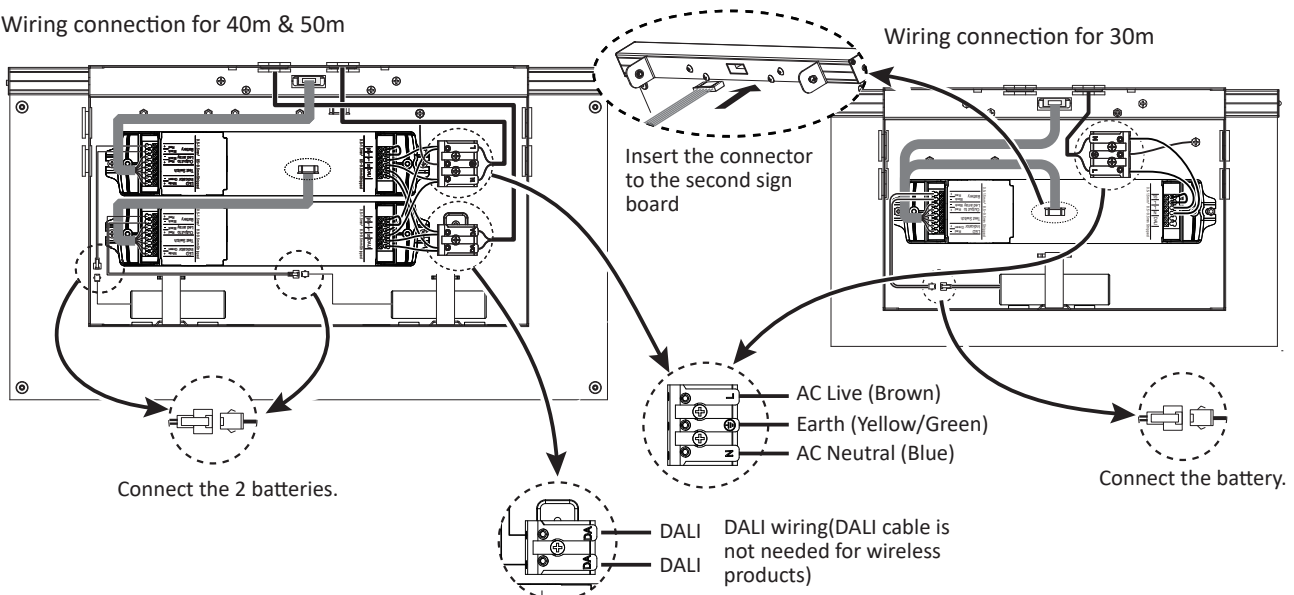


- ② Pull the front signboard out



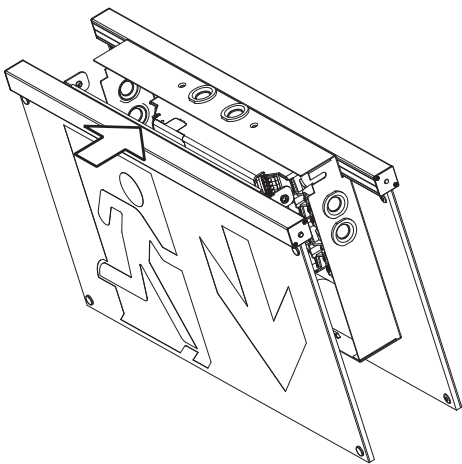
- ③ Wiring connection

Wiring connection for 40m & 50m

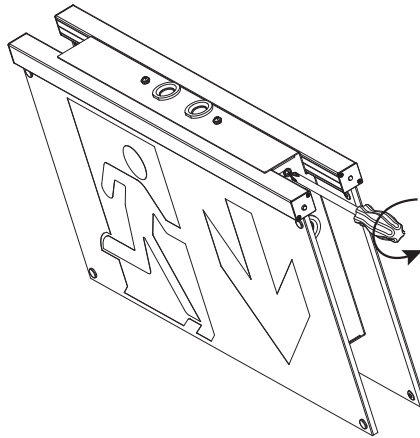


# Installation Instruction

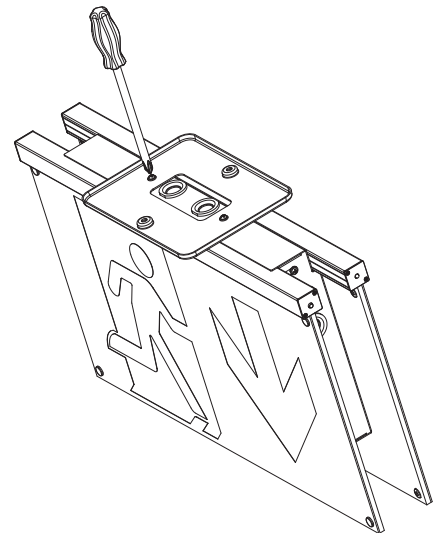
④ Insert the signboard into the back box



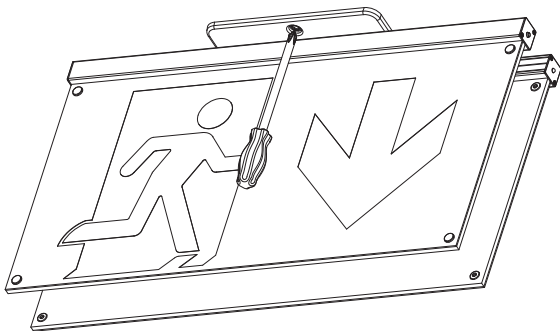
⑤ Turn the phillips screwdriver clock-wise to fasten the 2 screws.



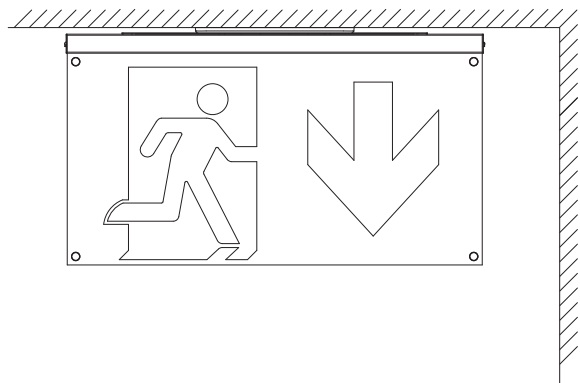
⑥ Mount the canopy to the top surface of the lamp



⑦ Mount the canopy to the ceiling by screws.



⑧ The finished ceiling mount



## Specification

Model	BIGLED CC,30m Dubbel-sidig tak	BIGLED CC, 40m Dubbel-sidig tak	BIGLED CC, 50m Dubbel-sidig tak
Art.no	960618CC	960620CC	960622CC
Power supply	220~240Vac 50/60Hz		
Power consumption	5W	10W	
Power output	2W	4W	
Operation mode	Maintained		
Battery type	LiFePO <sub>4</sub>		
Battery inbuilt	3.2V/1.5Ah	3.2V/1.5Ah X2	3.2V/1.5Ah X2
Charging times	24h		
Discharge time	>1 h	>1 h	>1h
CCT	5000K ~ 6500K		
Ra	≥70		
Average surface brightness of the white area	>500cd/m <sup>2</sup>	>500cd/m <sup>2</sup>	>350cd/m <sup>2</sup>
Test complies	ZigBee Wireless		
size	294*168*62.4mm	394*218*62.4mm	492*268*62.4mm
Installation Mount	Ceiling mount		
Operation mode environment	Indoor		
Ambient temperature	0°C-40°C		