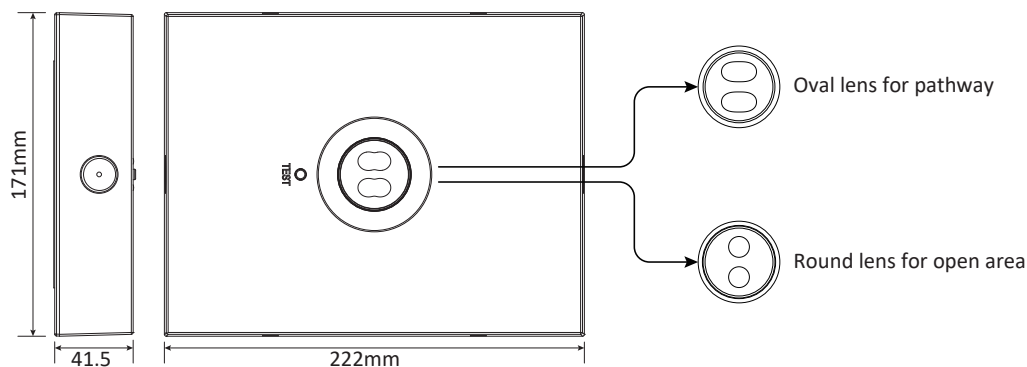


Installation Instruction



SPECIFICATION

Model	ControlLed utv
Power supply	220~240Vac 50/60Hz
Power consumption	4W
Power output	3.5W
Operation mode	Non-maintained
Battery inbuilt	LiFePO ₄ 6.4V/1.5AH
Charging times	16H
Discharge time	>1 H
CCT	5000K
Lumens output	>390LM
Ra	≥70
Test Complies	DALI, ZigBee Wireless
Size	222*171*41.5mm
Installation Mount	Surface Mounting
Ambient temperature	0°C-40°C
Certificate	CE
IP rating	IP40 (Indoor)

PRE-CAUTIONS

This product should be installed by a registered electrician in accordance with local standards and electrical regulations. Take care to ensure the mains supply is isolated before installation. Check the unit label for correct supply voltage and frequency. Replace the battery when the battery no longer meets its rated duration of operation (see the label of battery replacing) .

GENERAL INFORMATION

This product is a LED emergency light, have self-contained lighting, for pathway and open area used optional. LED light source provides low power consumption and long life. Enclosure is made by polycarbonate, surface mounting.

SERVICE & OPERATION

Normal Operation:

If AC supply is normal, fixture on the charging mode, LED indicator stay on green color, if press the test switch or AC supply failure, LED indicator will go out and the fixture turn to discharge mode.

Battery:

Sealed LiFePO₄ rechargeable battery pack. Batteries of a different type must not be used. Battery's should be replaced by authorized service personnel only. If the unit no longer maintains its rated battery backup test times. Should only be replaced with same brand and type. Old battery's should be recycled.

Battery have to recharge if product keep in stock over 12 months, detail manual refer "BATTERY STOCK AND RECHARGE GUIDELINE".

Installation Instruction

Surface mounting instruction

①

Use flat blade screwdriver to insert the two slots and pry off front cover from back plate

②

Mounting holes' position/ Dimension

③

Install surface mounting kit on the ceiling surface by screws, feed AC supply wire in mounting kit

④

Connect the connectors together to connect the battery

AC supply & DALI connection :
 Note: DALI cable is not needed for wireless products.

- AC LIVE (Brown)
- AC Neutral (Blue)
- DALI (White)
- DALI (White)

⑤

Push the housing to the plate mounted on ceiling

PHOTOMETRIC DATA

Oval lens for pathway application

UNIT: cd

- C0/180, 148.9deg
- C30/210, 117.9deg
- C60/240, 78.0deg
- C90/270, 68.7deg

AVERAGE BEAM ANGLE (50%) : 103.3 DEG

Mounting height	▨ — □	□ — □	□ — ▨
2.5m	9m	22.5m	9m
3.0m	10.2m	25.5m	10.2m
3.5m	11.2m	28	11.2m
4.0m	12.2m	30.5m	12.2m

Escape route up to 2 m wide, 1 lx on the central axis and 0.5 lx at 50% of the width.

Round lens for open area application

UNIT: cd

- C0/180, 148.1deg
- C30/210, 150.7deg
- C60/240, 157.2deg
- C90/270, 157.7deg

AVERAGE BEAM ANGLE (50%) : 153.4 DEG

Mounting height	▨ — □	□ — □	□ — □	□ — ▨
2.5m	5.8m	14.5m	14.5m	5.8m
3.0m	6.4m	16m	16m	6.4m
3.5m	7m	17.5m	17.5m	7m
4.0m	7.4m	18.5m	18.5m	7.4m

Compliant EUROPE standard EN1838 Illuminance requirement: Escape route up to 2 m wide, 1 lx on the central axis and 0.5 lx at 50% of the width.