

GENERAL INFORMATION

This product is a fully self contained illuminated exit sign. It has an inbuilt battery, battery charger, controller and test button. The LED light source provides low power consumption and long life. The acrylic panel is printed with a dot matrix with a polypropylene diffuser to provide high brilliance and even illumination over the full surface of the sign

TECHNICAL DATA

Power Supply	: 220-240VAC, 50/60 Hz
Power Consumption	: Max. 5W
Ambient operating Temp	: 0°C-45°C
Enclosure	: PC
Viewing Distance	: 24m

PRECAUTIONS

This product should be installed by a registered electrician in accordance with local standards and electrical regulations. Take care to ensure the mains supply is isolated before installation. Check the unit label for correct supply voltage and frequency.

SERVICE & OPERATION

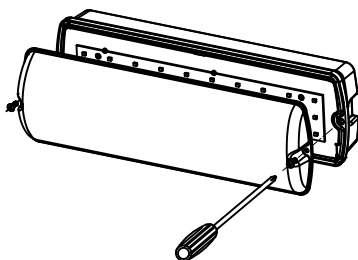
Normal Operation: The green indicator light on the side of the unit stays on. The LED will go out if the mains supply fails, if the internal charger malfunctions, or if the unit is in test mode.

Battery: Sealed LiFePO4 rechargeable battery pack. Batteries of a different type must not be used. Battery's should be replaced by authorized service personnel only. If the unit no longer maintains its rated battery backup test times. Should only be replaced by competent service personnel with manufacturers battery pack. Old Battery's should be recycled.

Test Switch: If pressed the unit LED indicator light will go out and the sign will operate from its battery supply.

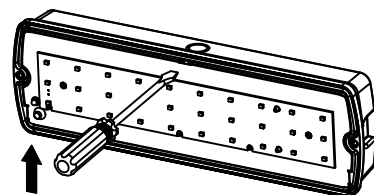
Mounting Instructions

1 Open Cover



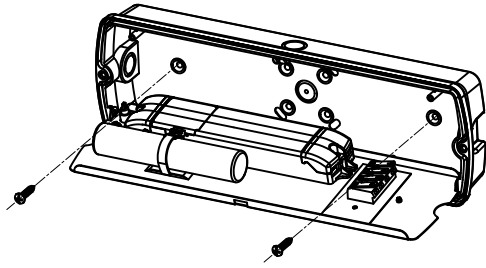
Remove screws by screwdriver then remove the cover.

2 Open gear tray.



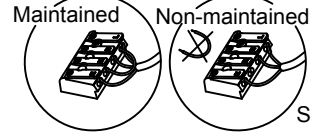
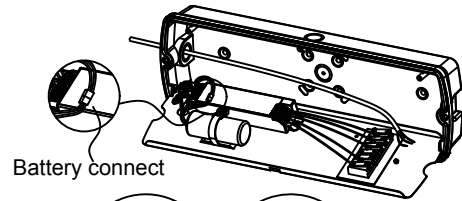
Use blade screwdriver insert the slot and pry off the steel plate.

3 Mounting



Install fixture on mounting surface by screws.

4 Wiring connection

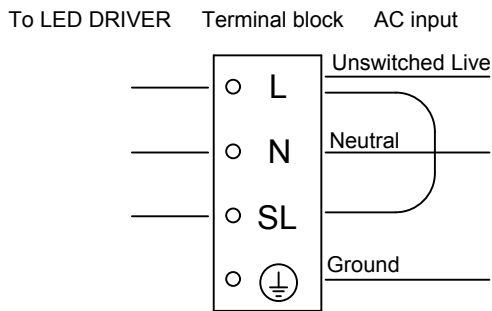


Suitable cable 0.75-2.5mm²

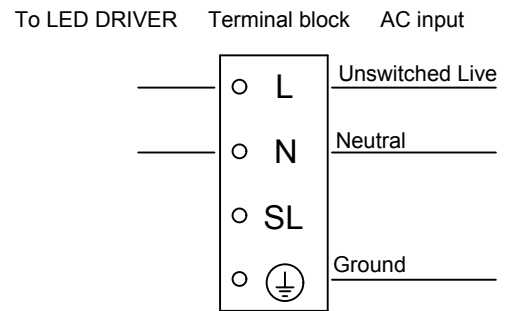
- a** Connect AC supply cable to terminal block, reference wiring struction below.
- b** Attach battery connector.

Wiring Instructions

Maintained Wiring



Non-maintained Wiring



Pictogram Styles



960500CC only

Technical Information

Model Number	Art.no.	Input Voltage	Charge Duration	Discharge Duration	LiFePO ₄ Battery	Power	LED	Operational Modes	Lumen ouput after discharge duration
Noviled II CC Zigbee	960500CC	220-240V~50/60Hz	24h	1h	3.2V 1.5Ah	5W	SMD2835, white 30pcs	Maintained & Non Maintained	230 lm
NoviLed II CC Zigbee	960623CC	220-240V~50/60Hz	24h	1h	6.4V 1.5Ah	4W	SMD2835, white 30pcs	Non Maintained	400 lm
NoviLed II CC Zigbee	960660CC	220-240V~50/60Hz	16h	1h	6.4V 3.2Ah	5W	-	Non Maintained	-