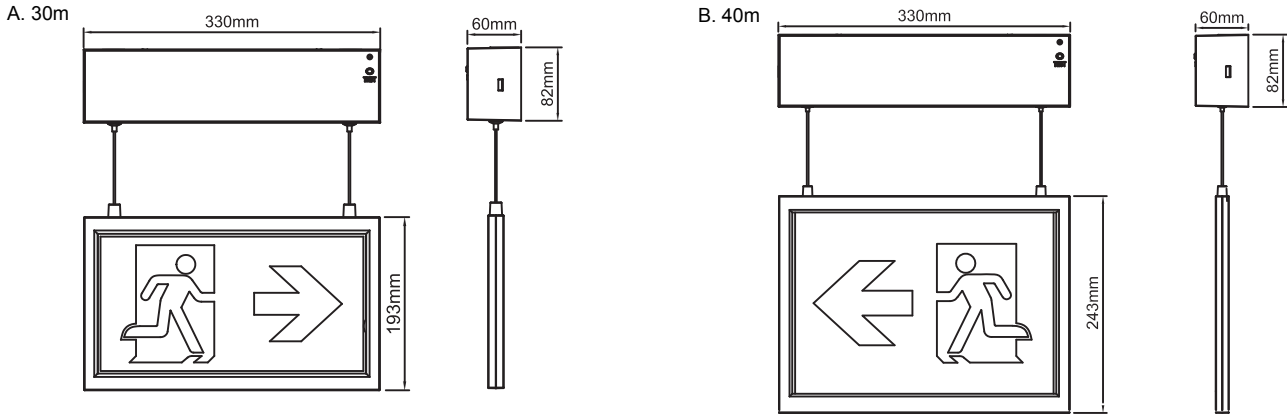


## SIGNUM series



### Product Feature

Power Supply	: 220-240VAC, 50/60 Hz	Emergency Duration	: 1 Hour
Power Consumption	: Max. 5.2W	Protection Class	: II
Ambient temperature	: 0°C...+40°C	IP Rating	: IP40
Operation	: Maintained and Non maintained	Function	: AUTO test or Zigbee wireless, DALI with Auto test
Recharge	: 24 hours recharge	Installation	: Wall mount or Ceiling mount

### Precautions

This product should be installed by a registered electrician in accordance with local standards and electrical regulations. Take care to ensure the mains supply is isolated before installation.

### Service & Operation

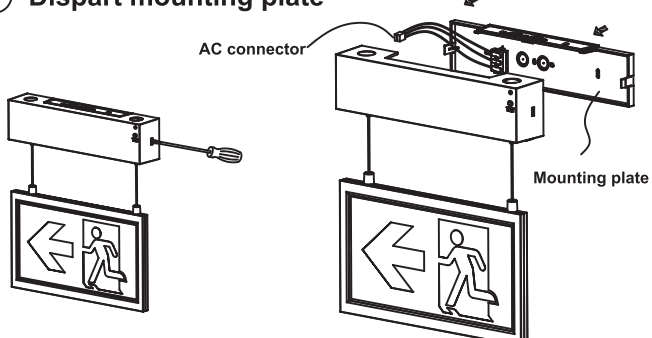
**Normal Operation:** The green indicator light on the front of the unit stays on. The indicator will go out if the mains supply fails, the internal charger malfunctions, or the unit in test mode.

**Battery:** Sealed LiFePO4 rechargeable battery pack. Battery should be replaced when the required duration is no longer achieved. To avoid any damage to the fixture and ensure its performance, the battery should be replaced with same brand and type.

**Test Switch:** Press the test switch button, LED indicator will go out and the sign will be illuminate from its battery pack.

### Mounting Instructions

**① Dispart mounting plate**

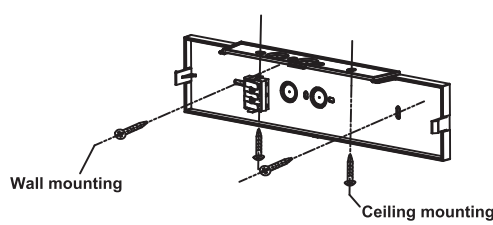


AC connector

Mounting plate

① Insert flat screwdriver into slot on side of unit, pry off and remove the mounting plate from unit.  
② Disconnect AC connector from PCBA.

**② Wall mounting or Ceiling mounting**



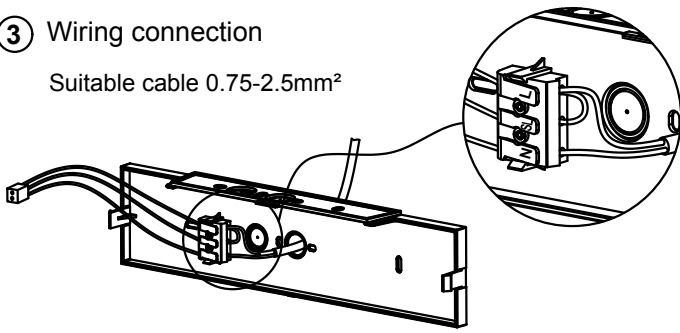
Wall mounting

Ceiling mounting

③ Knock out appropriate center cable entry hole and mounting screw hole on the mounting plate.  
④ Route AC supply wire through center hole of mounting plate.  
⑤ Fix mounting plate on the mount surface with screws and anchor nuts.

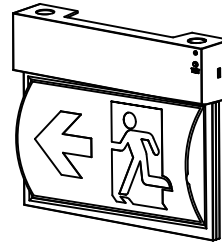
### ③ Wiring connection

Suitable cable 0.75-2.5mm<sup>2</sup>



Connect the AC supply wire to terminal block. Refer to wiring instruction showed below.

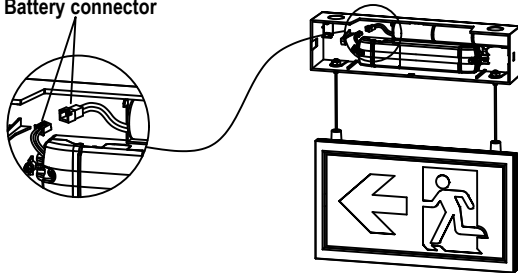
### ④ Change pictogram when necessary



Remove the pictogram on the unit, select other pictogram you need then insert into slot of panel.

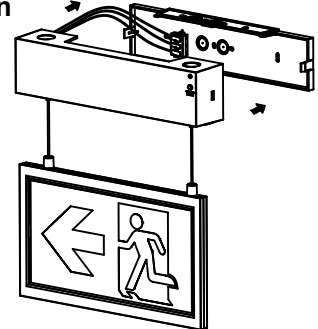
### ④ Connect battery

Battery connector



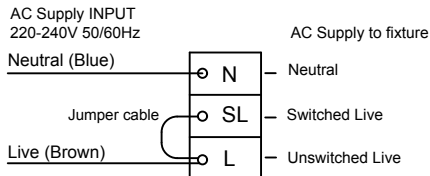
Connect battery male and female connector inside of mounting bracket.

### ⑥ Finish installation



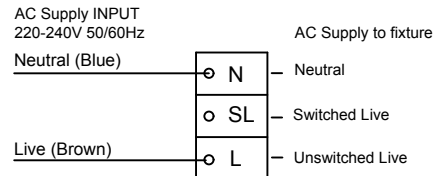
Snap AC supply on PCB and then snap fixture to mounting plate.

### Wiring Instructions Maintained Wiring



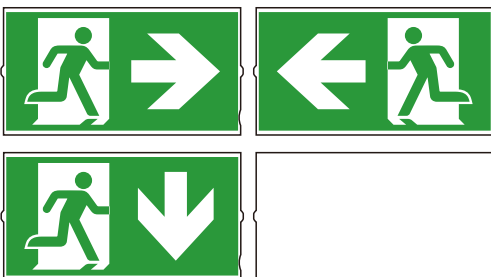
Maintained (default operation):  
Connect L,N and leave jumper cable connected.

### Wiring Instructions Non-Maintained Wiring



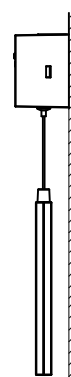
Non-maintained:  
Connect L,N and remove jumper cable.

## Pictogram Styles

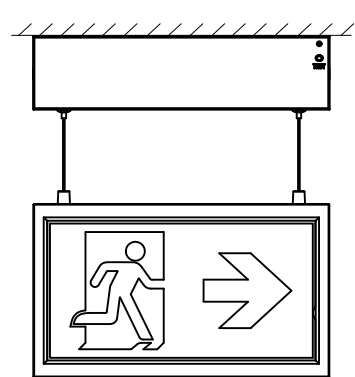


## Mounting Options

Wall mounting



Ceiling mounting



## Technical Information

Model Number	Test Function	Input Voltage	Charge Duration	Discharge Duration	Battery	Power Consumption	LEDs	Viewing Distance
Signum CC Zigbee 30m wire wire/tak/vägg	Zigbee, DALI	220-240V~ 50/60Hz	24h	1 h	3.2V 1.5Ah	4W Max.	SMD 2835 14 pcs	30m
Signum@night CC Zigbee 30m wire wire/tak/vägg	Zigbee, DALI	220-240V~ 50/60Hz	24h	1 h	3.2V 1.5Ah	4W Max.	SMD 2835 14 pcs	30m
Signum CC Zigbee 40m wire wire/tak/vägg	Zigbee, DALI	220-240V~ 50/60Hz	24h	1 h	3.2V 1.5Ah	5W Max.	SMD 2835 14 pcs	40m
Signum@night CC Zigbee 40m wire wire/tak/vägg	Zigbee, DALI	220-240V~ 50/60Hz	24h	1 h	3.2V 1.5Ah	5W Max.	SMD 2835 14 pcs	40m
Signum AT 30m wire wire/tak/vägg	AUTO	220-240V~ 50/60Hz	24h	1 h	6.4V 600mA	5.2W Max.	SMD 2835 28 pcs	30m
Signum@night AT 30m wire wire/tak/vägg	AUTO	220-240V~ 50/60Hz	24h	1 h	6.4V 600mA	5.2W Max.	SMD 2835 28 pcs	30m